

SNOWBOARDCROSS KNOCK-OUT LADDER
8 - 16 QUALIFIED RIDERS

Location:	Beaver Valley Ski Club
Date:	22-Feb-09
Race Class:	JuniorW
	JUNIOR WOMEN (14 - 16)

Chief of Course:	R. Smith
Technical Director:	J. Snarr

Seed					Gate					CHAMPIONSHIP						
A	Bib	Name	Result	DQ	Heat #	Gate	Bib	Result	DQ	Heat #	Gate	Bib	Result	DQ	Rank	F
	1	52	Zoe Bergemann	1			1	52	1			1	52	1	1	
Heat #	8	50	Katie Purcell	2			2	54	2			2	40	4	2	
38	9						3	45	4			3	54	3	3	
	16						4	50	3			4	44	2	4	
B					51					SMALL FINAL						
Bib	Name	Result				Heat #	Gate	Bib	Result	DQ	Heat #	Gate	Bib	Result	Rank	F
4	54	Kayla Rellinger	1													
Heat #	5	45	Allison Haggart	2												
39	12	51	Hillary Filip	3												
	13															
C					52											
Bib	Name	Result				Heat #	Gate	Bib	Result	DQ						
2	40	Nathalee Perry	1													
Heat #	7	44	Samantha Haggart	2												
40	10															
	15															
D																
Bib	Name	Results				Heat #	Gate	Bib	Result	DQ						
3	49	Danielle Hildebrand	1													
Heat #	6	48	Reegan Connor	2												
41	11															
	14															

RIDER ON TOP HAS CHOICE OF GATES

Scoring System by:

SNOWBOARDCROSS KNOCK-OUT LADDER

Location:	Beaver Valley Ski Club
Date:	22-Feb-09
Race Class:	JuniorM
	JUNIOR MEN (14 - 16)

Chief of Course:	R. Smith
Technical Director:	J. Snarr

Seed						
A	Bib	Name	Result	DQ		
1	73	Sam Dano	1			
Heat # 16	99	Brennan Sullivan	2			
30	17					
	32					
B	Bib	Name	Result			
8	90	Alex Benson	1			
Heat # 9	81	Thomas Chiang	2			
31	24	Matthew Erdelyi	3			
	25					
C	Bib	Name	Result			
4	98	Jeremy Foote	2			
Heat # 13	71	Cameron Parkin	1			
32	20	Ben Abbott	3			
	29					
D	Bib	Name	Results			
5	76	Charlie Abbott	1			
Heat # 12	102	Thomas Goraieb	2			
33	21	Andrew Hildebrand	3			
	28					
E	Bib	Name	Result			
2	92	Taylor Finlay	1			
Heat # 15	80	Dave Hurst	2			
34	18					
	31					
F	Bib	Name	Result			
7	82	Matt Cohen	1			
Heat # 10	96	Jeremy Proctor	2			
35	23	Dustin Kwinter	3			
	26					
G	Bib	Name	Result	DQ		
3	83	Devon Knight	1			
Heat # 14	95	Connor Staats	3			
36	19	Benjamin Sutton	2			
	30					
H	Bib	Name	Results			
6	100	Phillip Rousseau	2			
Heat # 11	74	Matthew Wowchuk	1			
37	22	Tristan Dorland	3			
	27					

Gate	Bib	Result
I 1	73	1
Heat # 2	90	2
43 3	81	3
4	99	4

Gate	Bib	Result
M 1	73	1
Heat # 2	76	3
53 3	90	2
4	71	4

Gate	Bib	Result
J 1	98	3
Heat # 2	76	2
44 3	102	4
4	71	1

Gate	Bib	Result	DQ	Rank	Bib
P 1	73	4		1	90
Heat # 2	83	3		2	74
60 3	90	1		3	83
4	74	2		4	73

Gate	Bib	Result
K 1	92	2
Heat # 2	82	1
45 3	96	3
4	80	4

Gate	Bib	Result
N 1	92	4
Heat # 2	83	2
54 3	82	3
4	74	1

Gate	Bib	Result
L 1	83	2
Heat # 2	100	4
46 3	74	1
4	75	3

Gate	Bib	Result	DQ	Rank	Bib
O 1	92	2		5	82
Heat # 2	76	3		6	92
59 3	82	1		7	76
4	71	4		8	71

RIDER ON TOP HAS CHOICE OF GATES

Scoring System by:

SNOWBOARDCROSS KNOCK-OUT LADDER

4 - 8 QUALIFIED RIDERS

Location: Beaver Valley Ski Club

Date: 22-Feb-09

Race Class: **SeniorW**

**R. Smith
J. Snarr**

Seed				
	A	Bib	Name	Result DQ
	1	114	Lauren Riddoch	1
Heat #	2	111	Elysha Pillar	2
42	3	115	Lauren Mcleod	3
	4	112	Sophie Henderson	4 DQ

CHAMPIONSHIP			
	Bib	Result	DQ
	114	1	
Heat #	111	2	
61	115	3	
	112	4	

RIDER ON TOP HAS CHOICE OF GATES

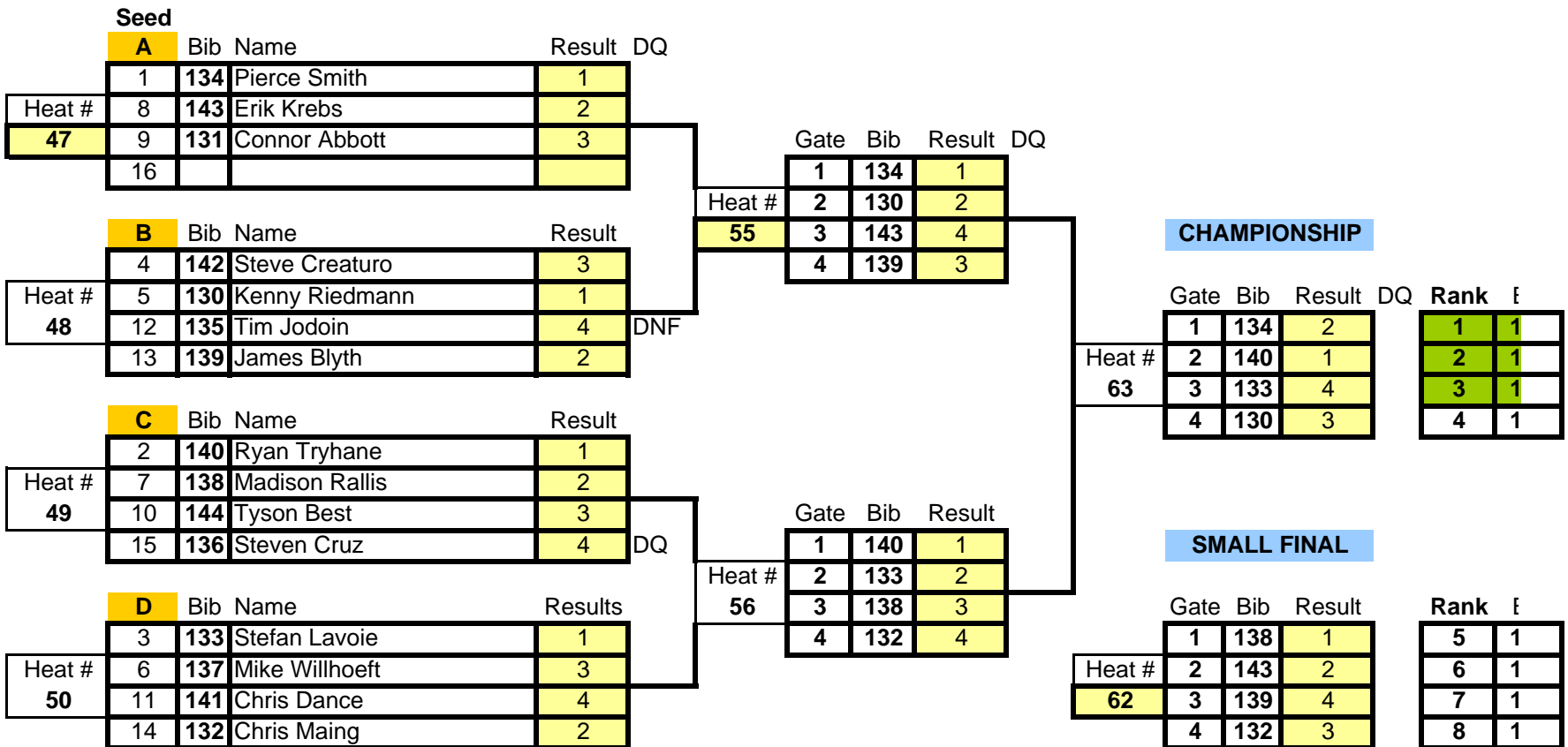
Scoring System by:

SNOWBOARDCROSS KNOCK-OUT LADDER

8 - 16 QUALIFIED RIDERS

Location:	Beaver Valley Ski Club
Date:	22-Feb-09
Race Class:	SeniorM
	SENIOR MEN (17 - 34)

Chief of Course:	R. Smith
Technical Director:	J. Snarr



RIDER ON TOP HAS CHOICE OF GATES

Scoring System by: